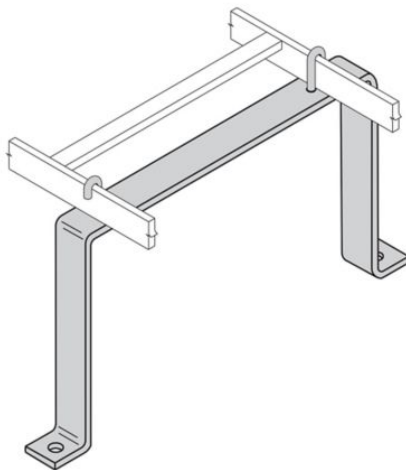


# Eaton SB2261804FB

Catalog Number: SB2261804FB

Eaton B-Line series runway support, Used to support cable runway from objects, Runway support, ASTM A36 structural steel, Flat black powder coat finish



## General specifications

<b>Product Name</b>	<b>Catalog Number</b>
Eaton B-Line series runway support	SB2261804FB
<b>UPC</b>	<b>Product Length/Depth</b>
799038356868	21.75 in
<b>Product Height</b>	<b>Product Width</b>
4 in	18 in
<b>Product Weight</b>	<b>Certifications</b>
2.4 lb	UL Listed

## Product specifications

### Type

Runway support

### Material details

Flat black powder coat ASTM A36 steel

### Application

Used to support cable runway from objects

## Resources

### Brochures

[Redi-Rail runway brochure](#)

### Catalogs

[Cable runway and accessories section of datacomm catalog](#)

### Specifications and datasheets

[Eaton Specification Sheet - SB2261804FB](#)



Eaton Corporation plc  
Eaton House  
30 Pembroke Road  
Dublin 4, Ireland  
Eaton.com

© 2023 Eaton. All Rights Reserved.

Eaton is a registered trademark.

All other trademarks are property of their respective owners.



[Eaton.com/socialmedia](https://www.eaton.com/socialmedia)